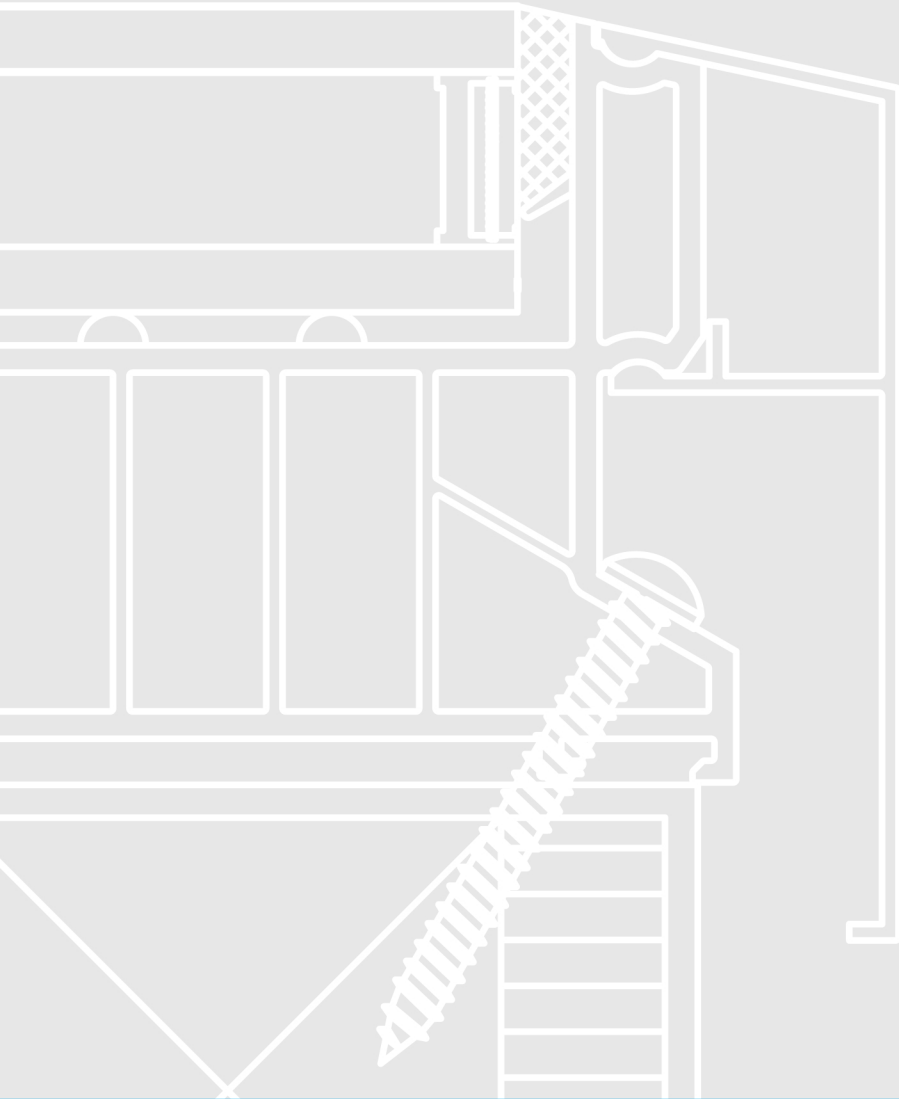


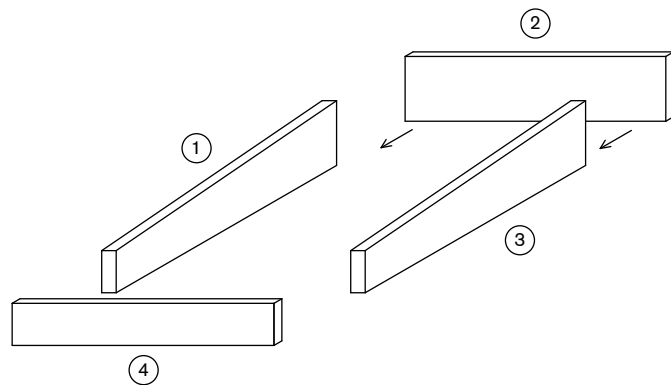
FLAT ROOFLIGHT



FLAT ROOFLIGHT **INSTALLATION MANUAL**

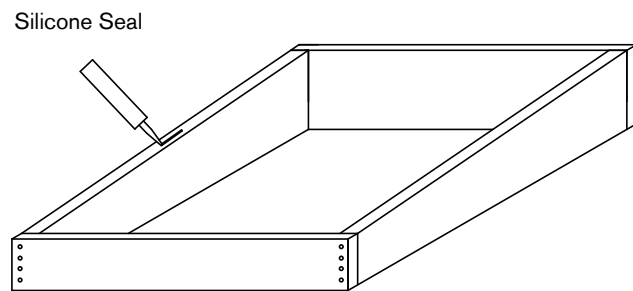


1 Lift external composite kerb onto the flat roof and fix together at the corners with screws.



2 Once the external kerbs have been secured to the flat roof cover the kerbs with weatherproof membrane.

3 Before lifting the glazed rooflight onto the kerb structure, run a silicone seal on top of the kerb membrane.



4 Lift the glazed rooflight onto the top of the kerb, keeping an equal spacing around the perimeter.

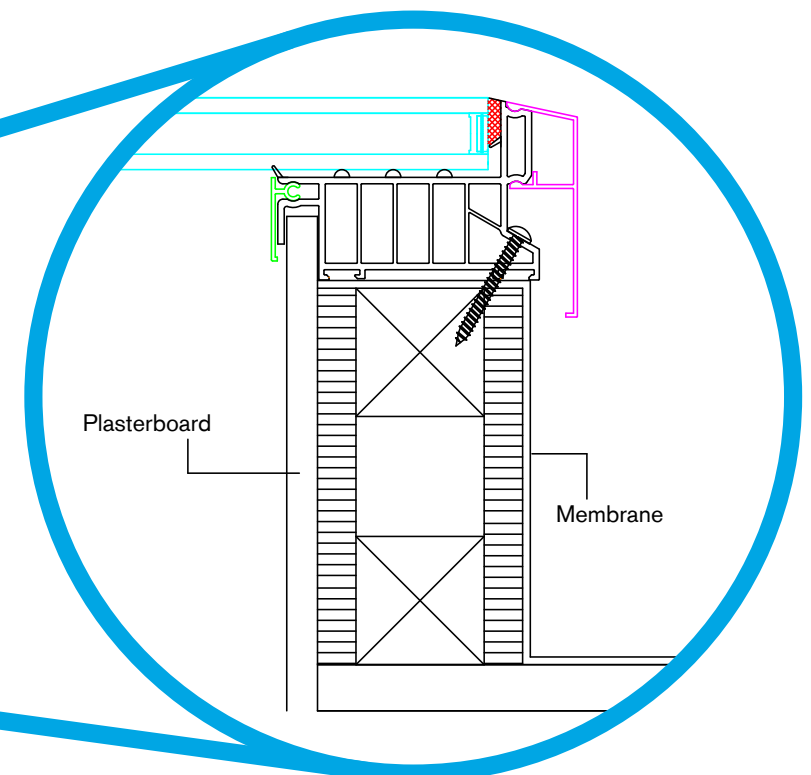
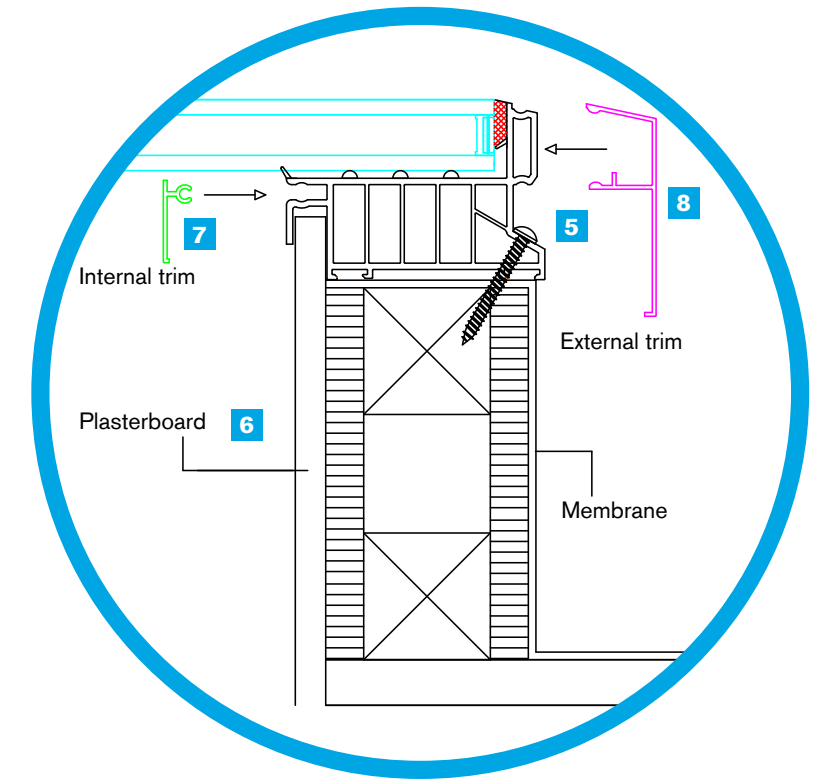


5 Once in place, screw through the rooflight outer frame into the kerb at 250mm centres. Make sure fixings are all secure.

6 After roof has been permanently secured, fix internal plasterboard into U channel slot on the internal perimeter of the rooflight.

7 Clip on the interior trims - fix the two tight trims first and the other adjacent trims between the fitted trims.

8 Fix the exterior trims around the perimeter of the rooflight using a rubber hammer if necessary.



FLAT ROOFLIGHT INSTALLATION MANUAL



☎ 01825 733390
🌐 www.rooflightexpress.co.uk
@ enquiries@rooflightexpress.co.uk

ROOFLIGHT
express
Less bars more stars